

Modern direct-indirect light recessed luminaire for modular suspended ceilings featuring LED light sources.

**TECHNICAL DATA**
**Mounting:** directly in the ceiling construction

**Body:** powder-painted steel sheet

**Colour:** white

**ELECTRICAL DATA**
**Power supply efficiency:** >90%

**Power:** 220-240V 50/60Hz

**Includes light source:** yes

**Type of equipment:** ED

**Electrical connection:** max 3x2,5 mm<sup>2</sup> wire

**OPTICAL DATA**
**Way of lighting:** indirect

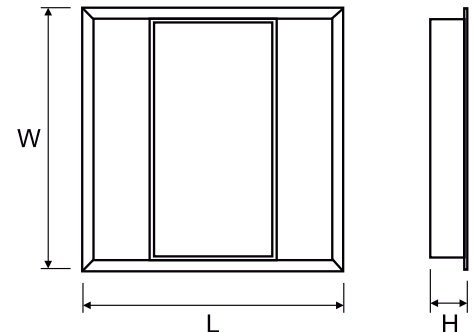
**ADDITIONAL INFO**
**Lifetime (L70B50):** 50 000 h

**GENERAL DATA**
**Warranty:** 3 years + 2 years after project registration

**Application:** auditorium, classrooms, museums, reception desks, restaurants, offices


Code	Power LED [W]	Luminaire power [W]	Lumen LED [lm]	Lumen luminaire [lm]	Efficacy [lm/W]	Colour temperature [K]	CRI/Ra
050081.5L01.311	51	56	6000	3200	57	3000	≥80
050081.5L02.311	51	56	6250	3300	59	4000	≥80
050081.5L03.311	67	74	8950	3900	53	3000	≥80
050081.5L04.311	67	74	9250	4050	55	4000	≥80

Code	Dimensions [mm] L W H	Mounting dimensions [mm] L W	Pallet quantity	Quantity in package	Net weight [kg]
050081.5L01.311	595 595 100	600 600	44	1	5.5
050081.5L02.311	595 595 100	600 600	44	1	5.5
050081.5L03.311	595 595 100	600 600	44	1	5.5
050081.5L04.311	595 595 100	600 600	44	1	5.5

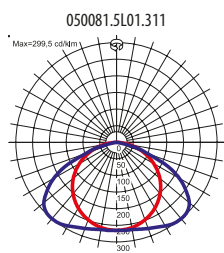

**ACCESSORIES**


150210.00605

Mounting frame for plasterboard ceilings 595x595

**LIGHT BEAM CURVES**

---



Luminous flux tolerance +/- 10%.