

Professional streetlight luminaire for LED light sources.

TECHNICAL DATA

Mounting: on pillar $\varnothing 60/76$ mm, on outriggers $\varnothing 60/76$ mm

Body: high pressure die-cast aluminum

Lateral Surface Wind Exposed: 0.049 m²

Colour: gray, graphite

Diffuser: tempered glass

ELECTRICAL DATA

Power supply efficiency: >93%

Power: 220-240V 50/60Hz

Includes light source: yes

Type of equipment: ED

Electrical connection: max 3x2,5 mm² wire, max 2x2,5 mm² wire

OPTICAL DATA

Light distribution: asymmetric

Way of lighting: direct

Type of optic: 01 - for freeways, 02 - for express roads, 03 - for local roads, 04 - for town roads, 05 - for residential area roads, 07 - for area lighting, 08 - for town and local roads

ULOR / DLOR: 0% / 100%

GENERAL DATA

Lifetime (L80B10): 100 000 h

Operating temperature range: -35°C - +40°C / -35°C - +30°C

Available on request: DALI, DIM 1..10V, LLOC, twilight sensor, knife switch, 10kV surge protection, NTC

Additional information: Tilt adjustment jump: 5°

Other remarks: luminaires with lumen output over 22000 lm operate in the temperature range of -35°C - +30°C.



Warranty: 5 years

Application: freeways, express roads, local roads, town roads, residential area roads, area lighting



Code	Protection Class	Power LED [W]	Luminaire power [W]	Lumen LED [lm]	Lumen luminaire [lm]	Efficacy [lm/W]	Colour temperature [K]	CRI/Ra
Type: Regulation 0° ... +15°								
13019X.5L05.1X	I	103	113	13750	12800	113	4000	>70
13019X.5L05.2X	II	103	113	13750	12800	113	4000	>70
13019X.5L06.1X	I	103	113	13750	12800	113	5700	>70
13019X.5L06.2X	II	103	113	13750	12800	113	5700	>70
13019X.5L08.1X	I	153	166	20350	18800	113	4000	>70
13019X.5L08.2X	II	153	166	20350	18800	113	4000	>70
13019X.5L09.1X	I	153	166	20350	18800	113	5700	>70
13019X.5L09.2X	II	153	166	20350	18800	113	5700	>70
13019X.5L11.1X	I	190	206	24050	22000	107	4000	>70
13019X.5L12.1X	I	190	206	24050	22000	107	5700	>70
Type: Regulation -15° ... 0°								
13019X.5L05.1X1	I	103	113	13750	12800	113	4000	>70
13019X.5L05.2X1	II	103	113	13750	12800	113	4000	>70
13019X.5L06.1X1	I	103	113	13750	12800	113	5700	>70
13019X.5L06.2X1	II	103	113	13750	12800	113	5700	>70
13019X.5L08.1X1	I	153	166	20350	18800	113	4000	>70
13019X.5L08.2X1	II	153	166	20350	18800	113	4000	>70
13019X.5L09.1X1	I	153	166	20350	18800	113	5700	>70
13019X.5L09.2X1	II	153	166	20350	18800	113	5700	>70
13019X.5L11.1X1	I	190	206	24050	22000	107	4000	>70
13019X.5L12.1X1	I	190	206	24050	22000	107	5700	>70

Luminous flux tolerance +/- 10%.

13019  .5L05.1 

Type of optic

- 1 O1 - for freeways
- 2 O2 - for express roads
- 3 O3 - for local roads
- 4 O4 - for town roads
- 5 O5 - for residential area roads
- 7 O7 - for area lighting
- 8 O8 - for town and local roads

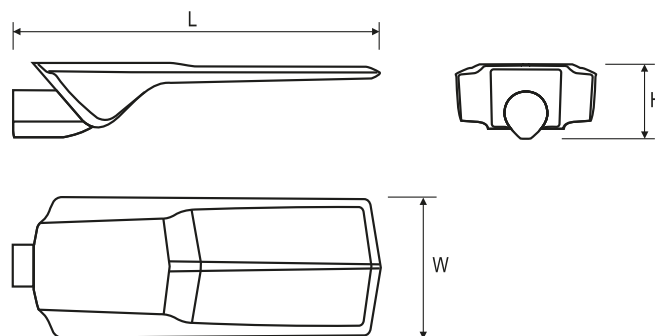
Colour

- 2  gray
- 5  graphite

Code	Dimensions [mm] L W H	Pallet quantity	Quantity in package	Net weight [kg]
Type: Regulation 0° ... +15°				
13019X.5L05.1X	730 295 135	24	1	11.0
13019X.5L05.2X	730 295 135	24	1	11.0
13019X.5L06.1X	730 295 135	24	1	11.0
13019X.5L06.2X	730 295 135	24	1	11.0
13019X.5L08.1X	730 295 135	24	1	11.2
13019X.5L08.2X	730 295 135	24	1	11.2
13019X.5L09.1X	730 295 135	24	1	11.2
13019X.5L09.2X	730 295 135	24	1	11.2
13019X.5L11.1X	730 295 135	24	1	12.4
13019X.5L12.1X	730 295 135	24	1	12.4

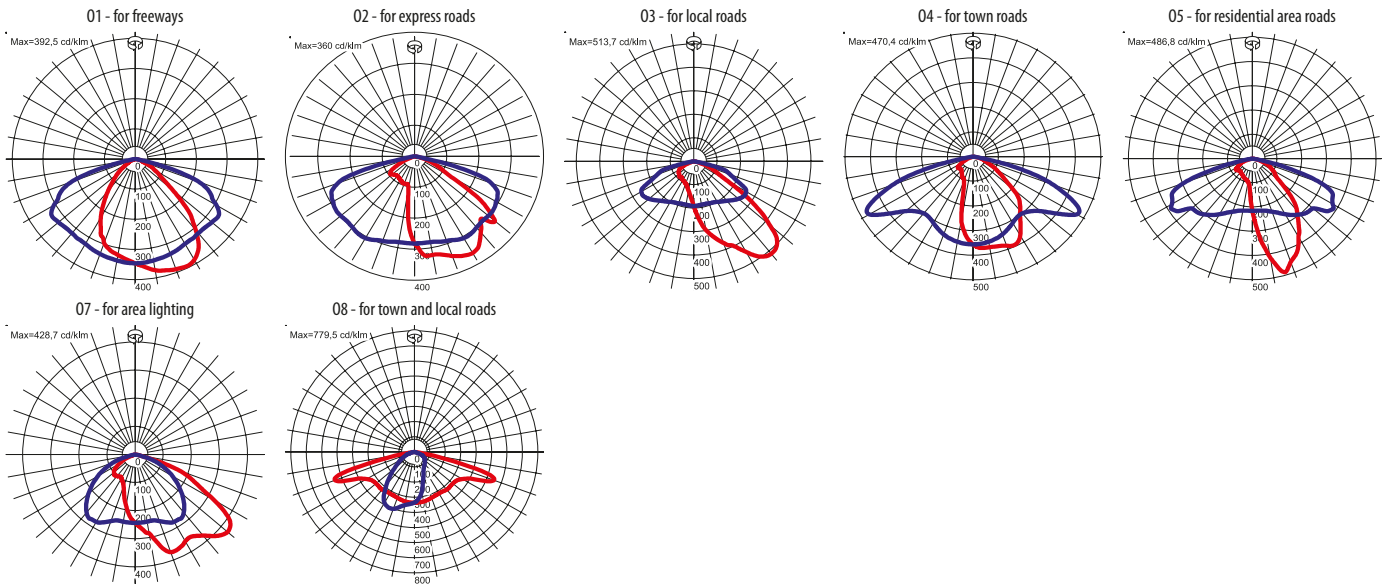
Type: Regulation -15° ... 0°

13019X.5L05.1X1	730 295 135	24	1	11.0
13019X.5L05.2X1	730 295 135	24	1	11.0
13019X.5L06.1X1	730 295 135	24	1	11.0
13019X.5L06.2X1	730 295 135	24	1	11.0
13019X.5L08.1X1	730 295 135	24	1	11.2
13019X.5L08.2X1	730 295 135	24	1	11.2
13019X.5L09.1X1	730 295 135	24	1	11.2
13019X.5L09.2X1	730 295 135	24	1	11.2
13019X.5L11.1X1	730 295 135	24	1	12.4
13019X.5L12.1X1	730 295 135	24	1	12.4

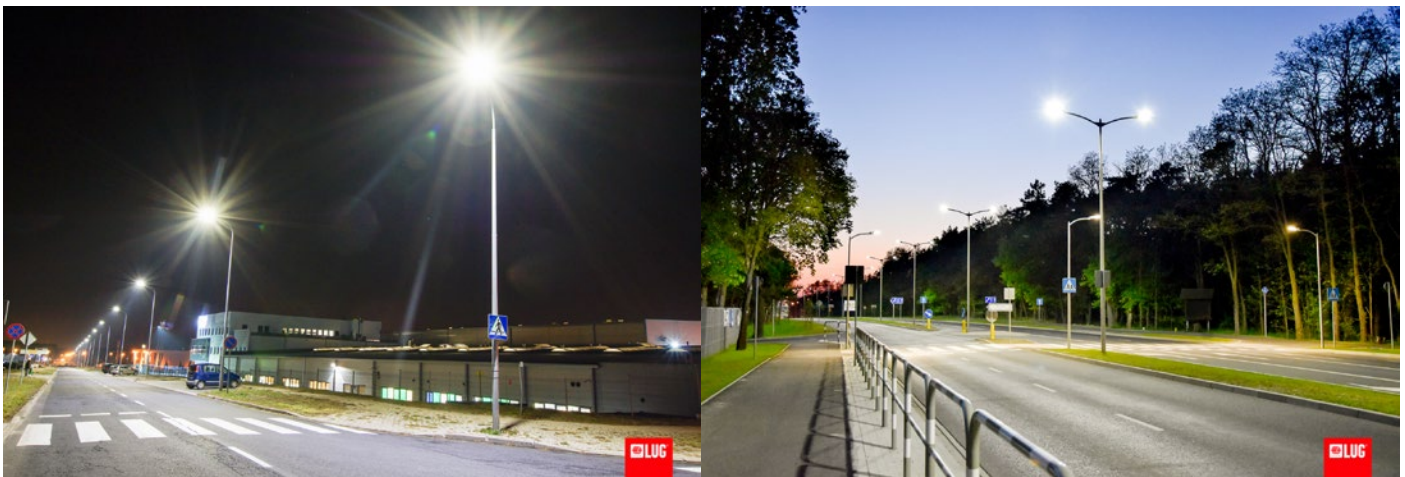

OTHER PICTURES


Luminous flux tolerance +/- 10%.

LIGHT BEAM CURVES



OTHER PROJECTS



Gorzowska Street, Zielona Gora, Poland

Zjednoczenia Avenue, Zielona Góra, Poland

Luminous flux tolerance +/- 10%.