

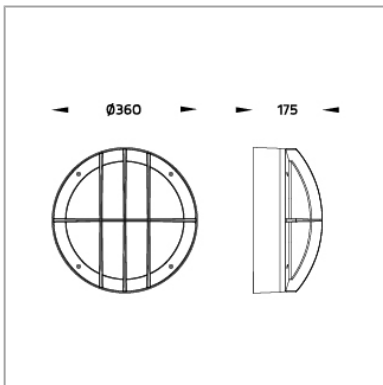
# RETINA

## Product Image

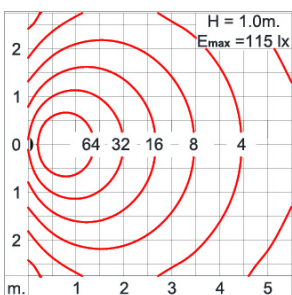
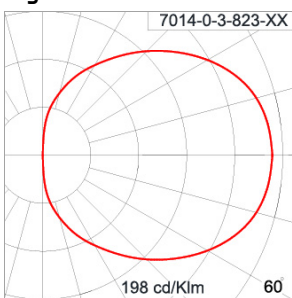


Application Type: GENERAL WALL LIGHT  
Product Name: Maxi RETINA 3  
Ordering Code: 7014-0-3-823-XX  
Lamp Type: LED  
Socket: N/A  
Watt: 27 W  
Lumen: 2550 lm  
Beam: N/A  
Kelvin: 3000 K

## Dimension



## Light Distribution



\*Due to the constancy of product development,  
we reserve the right to alter all specification  
without prior notice.

# RETINA

## Specification

IEC Standard	IEC 60598-1 General Requirement IEC 60598-2-1 Fixed Luminaires
Protection	IP65 Class II
IK Rating	Protection against mechanical impact IK09 on body and optical part.
Luminaires Body Housing	High-pressure Die Cast Aluminium alloy body and components.
Coating Process	Nano Ceramic surface conversion, resistant to corrosive environment. Luminaire primarily coated with epoxy resin and top coated with UV stabilized polyester powder and cured in digital temperature controlled chamber at 200°C.
Diffuser	Self-extinguishing high impact resistant opal polycarbonate diffuser with UV stabilized additive. Material from Teijin – Japan.
Gasket	Weather resistant silicone gasket. Working temperature -40°C to +200°C.
External screws	External screws are in stainless steel with protection dipping.
Cable Entry	Cable entry protected by weather proof EPDM grommet and to be used with H05RN-F/ H07RN-F cable with 7-10mm. diameter.
LED	High efficiency SMD LED module with built-in constant current LED driver. Replacable module for future upgrade or maintenance.
Internal wire	Tinned copper conductor with PTFE insulated internal wire from EMC Colosio or equivalents. IMQ approved. Working temperature -40°C to +250°C.
Terminal Block/ Connector	Terminal block in GFR PA6.6 for cable with cross section up to 2.5mm <sup>2</sup> . VDE approved. Class1 luminaire provided with the earth connection.
Caution	Installation work has to be carried on according to the enclosed installation manual.
Color	Black (replace the last 2 digits of ordering code with 01) Graphite (replace the last 2 digits of ordering code with 02) Dark Gray (replace the last 2 digits of ordering code with 03) Aluminium Silver (replace the last 2 digits of ordering code with 04) White (replace the last 2 digits of ordering code with 06)