



## GLIDER TREND

# GLIDER TREND

Input Power	CRI & CCT Options	Cooling	Installation Type	Material	Warranty	Beam Angles	Luminaire Color
110 – 130V	CRI 80+ 3000K, 4000K, 5000K	Passive Cooling	NoA & Most 3 & 1-phase Tracks	Powder Painted Die-Cast Aluminum	50 000h Or 5 Years	1206 COB/ 1212 COB:	White (RAL 9016)
220 – 240V	CRI 90+ 2700K B.BBL, 3000K B.BBL, 3500K B.BBL, 4000K					S 10°/20° NFL 24°/- FL 30°/40° WFL 50°/60°	Silver (Ca. RAL 9006)
							Black (RAL 9005)

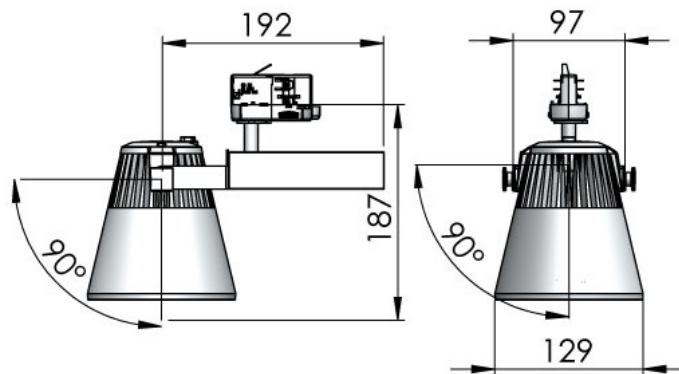
Output Current /  
Module Wattage /  
Luminaire Wattage:

LED Module: Citizen CLU038-1206 5Gen – COB luminous flux: Power: 250mA – 1200mA

	CRI 80+ 3 000K	CRI 80+ 4 000K	CRI 80+ 5 000K	CRI 90+ 2 700K Below BBL	CRI 90+ 3 000K Below BBL	CRI 90+ 3 500K Below BBL	CRI 90+ 4 000K
500mA / 18W / 20W	2 725Lm	2 800Lm	2 850Lm	2 050Lm	2 125Lm	2 175Lm	2 325Lm
900mA / 33W / 35W	4 425Lm	4 550Lm	4 625Lm	3 325Lm	3 475Lm	3 550Lm	3 750Lm
1050mA / 39W / 43W	4 975Lm	5 125Lm	5 200Lm	3 725Lm	3 900Lm	3 975Lm	4 225Lm

LED Module: Citizen CLU048-1212 5Gen – COB luminous flux: Power: 250mA – 1400mA

	3 900Lm	4 025Lm	4 100Lm	2 950Lm	3 075Lm	3 125Lm	3 325Lm
700mA / 24W / 28W							
1050mA / 36W / 41W	5 575Lm	5 750Lm	5 825Lm	4 200Lm	4 375Lm	4 450Lm	4 750Lm
1400mA / 50W / 55W	7 000Lm	7 200Lm	7 300Lm	5 250Lm	5 500Lm	5 600Lm	5 950Lm



IP20

LED Design | Made In Finland

**LIVAL**